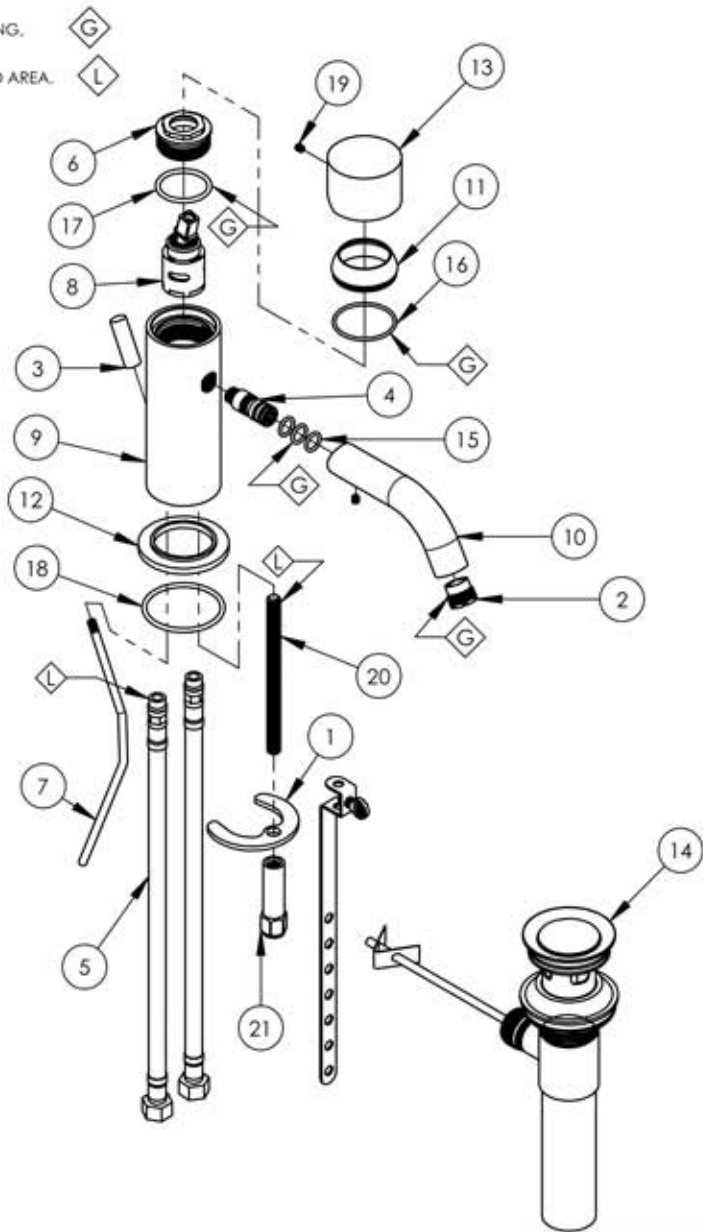


NOTE(5):
 1. APPLY NSF COMPLIANT GREASE TO ANY O-RING,
 SEALING JOINTS, AND/OR PIVOTAL POINTS.
 2. APPLY NSF COMPLIANT LOCTITE TO THREADED AREA.



ITEM NO.	PART NUMBER	DESCRIPTION	QTY.
1	10115	WASHER, HORSESHOE .328 HOLE	1
2	10150	AERATOR, 1.5GPM LAMINAR CACHE TOM THUMB 44.3356.010	1
3	10171/00	HANDLE, LEVER INSTANT FILTRATION CONTEMPORARY	1
4	10230	INJECTOR, FRONT SINGLE CONTROL SEAL SUPPORT	1
5	10665	HOSE, CONNECTOR, M8.1 x 3/8", 17" LG.	2
6	10869	NUT, CARTRIDGE, SINGLE LEVER	1
7	10878/00	POP-UP ROD, SINGLE LEVER LAV	1
8	10985	STSR CARTRIDGE ST231, 25MM OPEN	1
9	11088/00	BODY, CONTEMPORARY BASIC II LAV	1
10	11089/00	SPOUT, SHORT 60 BEND CONTEMPORARY BASIC II	1
11	11092/00	CAP, CONTEMP. BASIC II LAV	1
12	11093/00	ESCUTCHEON BASE, CONTEMP. BASIC II	1
13	11096/00	HANDLE, SMOOTH, SINGLE CTRL CONTEMP. BASIC II	1
14	3-046/00	POP-UP DRAIN ASSEMBLY (2-101, 2-102)	1
15	90012	O-RING, 3/8"ID X 1/2"OD X 1/16"THK, AS-568-012	3
16	90028	O-RING, 1-3/8"ID X 1/16"THK, AS-568-028	1
17	90122	O-RING, 1-1/8" ID X 3/32"THK, AS-568-122	1
18	90132	O-RING, 1-3/4"ID X 3/32"THK, AS-568-132	1
19	92008	SET SCREW, CUP POINT 8-32	2
20	92064	ROD, MOUNTING 5/16"-18 X 4.5"L	1
21	92065	MOUNTING NUT, 5/16"-18 X 2"L	1

ZONE	REV.	DESCRIPTION	DATE	APPROVED
------	------	-------------	------	----------

REVISIONS

1261 LOGAN AVENUE
 COSTA MESA, CALIFORNIA 92626
 PHONE: 714.361.4800
 FAX: 714.617.3120

PHYLORICH®

Defining Luxury Since 1959

PROPRIETARY AND CONFIDENTIAL
 THE INFORMATION CONTAINED IN THIS DRAWING IS THE SOLE PROPERTY OF RISS MANUFACTURING. ANY REPRODUCTION IN PART OR AS A WHOLE WITHOUT THE WRITTEN PERMISSION OF RISS MANUFACTURING IS PROHIBITED.

-		INTERPRET GEOMETRIC DIMENSIONING & TOLERANCING IN ACCORDANCE WITH ASME Y14.5-2009 & ASME Y14.41-2003 STANDARDS, UNLESS OTHERWISE SPECIFIED. DIMENSIONS ARE IN INCHES. TOLERANCES ARE:	
NEXT ASSY	USED ON	FRACTIONS ±1/64"	DECIMALS X.X: ±.1 X.XX: ±.01 X.XXX: ±.005
APPLICATION		ANGULAR ±.5°	
MATERIAL	NAME	DATE	
FINISH	DRAWN	LLO	3/13/2015
DO NOT SCALE DRAWING		CHECKED	GRE

SINGLE CONTROL LAV., SMOOTH HANDLE, BASIC II

SIZE	ASM/PRT NO.	REV
A	230-07/00	-
SCALE: 1:4.5	WEIGHT: lbs.	SHEET 1 OF 2

5

4

3

2

1